



**READ ALL CAUTIONS AND WARNING TO OPERATE THIS EQUIPMENT.  
INSTRUCTION TO PREVENT INJURY OR DAMAGE DUE TO FIRE, ELECTRIC SHOCK, AND/OR PHYSICAL HAZARDS.**

Installation and maintenance should be done only by qualified personnel.  
Improper installation may result to a risk of fire or electrical shock hazard.  
The final installation must be approved by an appropriate and qualified electrical and/or building inspector.  
Use only original parts during maintenance.  
If the luminaire is subsequently modified, the person responsible for the modification shall be considered the manufacturer.  
The manufacturer bears no liability for damages caused by inappropriate use of application.  
**WARNING:** All wiring must be IP protected. Manufacturer will not bear the responsibilities for any damages or losses due to improper installation method and/or omitting the warnings given.

**PROTECTION AGAINST FIRE**

1. Maintain minimum distance of 1.0 meter lighted objects.
2. Do not install the fixture close to any heat source.
3. Disconnect power before servicing or maintenance.

**PROTECTION AGAINST ELECTRIC SHOCK**

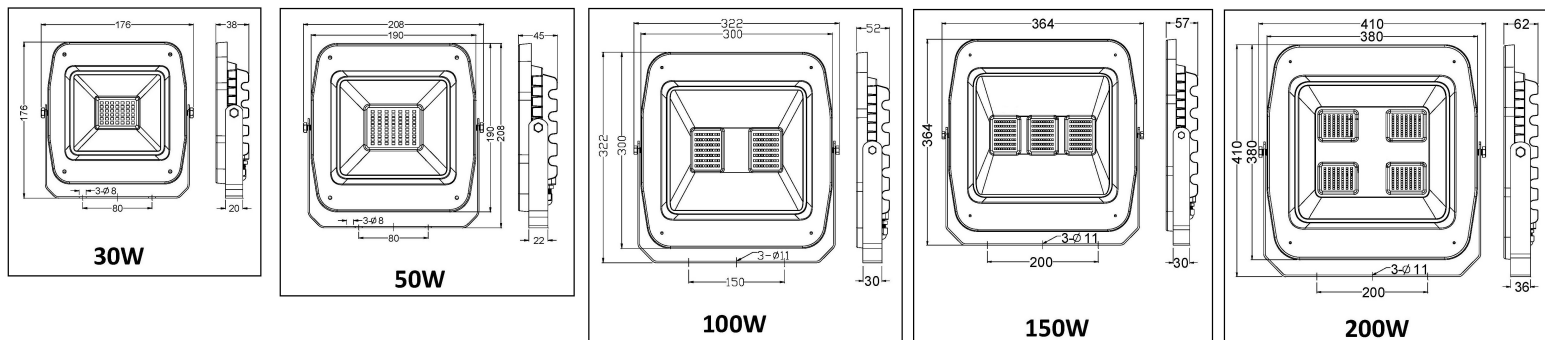
1. Earth wire must always be connected.
2. Refer to incoming supply wiring system instruction for correct connection from the main supply to the luminaire.
3. Disconnect power before servicing or maintenance.

**PROTECTION AGAINST PHYSICAL HAZARD**

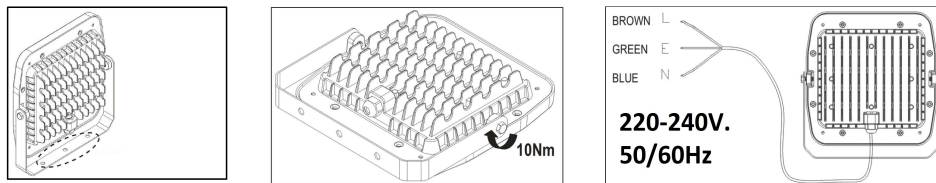
Luminaire's surface may reach high temperature when operating, Allow a minimum of 5 minutes cool down period before handling.

**BEFORE INSTALLATION**

1. Visually inspect the luminaire for defects prior to installation. If defects are noticed, do not proceed to installation and contact the manufacturer immediately.
2. Identification and Overall Dimension:



**FIXTURE MOUNTING INSTRUCTION**



1. Remove the luminaire from the box and plastic bag (follow local recycling codes).
2. Visually inspect the luminaire for any damage.
3. Loosen the side mounting bracket screw as needed to prepare for mounting using for wrench size.
4. Tighten the side mounting bracket screw to secure in the desired tilting position.
5. Mount the luminaire to the surface with three for screw size. Ensure mounting surface may withstand 3 times the weight of luminaire. Ensure mounting position is such that any tilting adjustment will not create undue strain onto the incoming supply cable.
6. Energize the luminaire for light-up test. Do not stare at the operating light source during the light-up test. Once the light-up test is completed, de-energize the luminaire.
7. Make final mounting adjustments and secure all hardware fasteners.
8. Installation is complete.